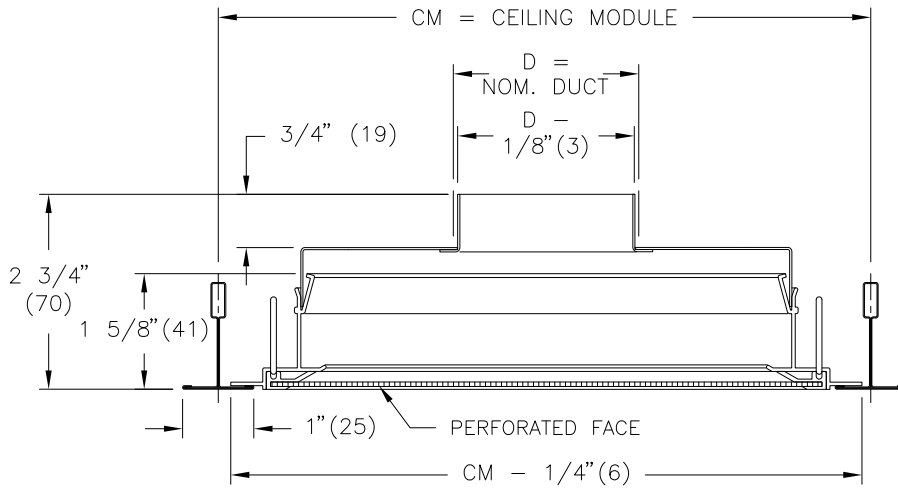
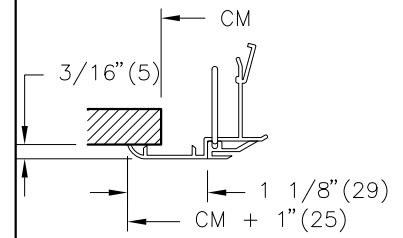


**PDR PERFORATED RETURN DIFFUSER**

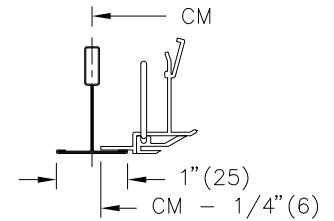


**FRAMES:**

**1 SURFACE MOUNT**



**3 T-BAR**



		D SQUARE DUCT										D ROUND DUCT								
		6x6 (152x152)	8x8 (203x203)	10x10 (254x254)	12x12 (305x305)	14x14 (349x349)	18x18 (449x449)	22x22 (549x549)	10x22 (249x549)	10x34 (249x849)	10x46 (249x1149)	22x34 (549x849)	22x46 (549x1149)	5" (127)	6" (152)	7" (178)	8" (203)	10 (254)	12" (305)	14" (356)
<b>IMPERIAL</b>	<b>CEILING MODULE</b>	12x12	●	●	○									●	●	●	●	●	●	
		16x16	●	●	●	○								●	●	●	●	●	●	
		20x20	●	●	●	●	○							●	●	●	●	●	●	
		24x24	●	●	●	●	●	○						●	●	●	●	●	●	●
		12x24	●	●					○					●	●	●	●	●	●	
		12x36	●	●						○				●	●	●	●	●	●	
		12x48	●	●							○			●	●	●	●	●	●	
		24x36	●	●	●	●	●	●				○		●	●	●	●	●	●	●
	24x48	●	●	●	●	●	●					○	●	●	●	●	●	●	●	
<b>METRIC</b>		300x300	●	●	○									●	●	●	●	●	●	
		400x400	●	●	●	○								●	●	●	●	●	●	
		500x500	●	●	●	●	○							●	●	●	●	●	●	●
		600x600	●	●	●	●	●	○						●	●	●	●	●	●	●
		300x600	●	●					○					●	●	●	●	●	●	
		300x900	●	●						○				●	●	●	●	●	●	
		300x1200	●	●							○			●	●	●	●	●	●	
		600x900	●	●	●	●	●	●				○		●	●	●	●	●	●	●
		600x1200	●	●	●	●	●	●					○	●	●	●	●	●	●	●

SIZES MARKED WITH (O) ARE SUPPLIED WITHOUT PLENUMS.

**FINISH:**

- B12 WHITE
- B17B12FT WHITE FACE & TRIM WITH BLACK PLENUM (OPTIONAL FINISHES AVAILABLE)

**MATERIAL:**

- BORDER & MOUNTING FRAME: EXTRUDED ALUMINUM
- PERFORATED FACE & BACK PAN: STEEL

**NOTES:**

- FACTORY TOLERANCE ± 1/32 (1)

ALL METRIC DIMENSIONS ( ) ARE SOFT CONVERTED. IMPERIAL DIMENSIONS ARE CONVERTED TO METRIC AND ROUNDED TO THE NEAREST MILLIMETER.

<b>PROJECT:</b>		<b>PRICE®</b>	
<b>ENGINEER:</b>			
<b>CUSTOMER:</b>		<i>RV</i>	<b>PDR</b> PERFORATED RETURN DIFFUSER
<b>SUBMITTAL DATE:</b>		222037	
<b>SPEC. SYMBOL:</b>		2011/10/26	